



K7⁺

For the highest demands.



Windegger



K7+

Advanced

The **drive system** of the K7+ has been redesigned: four 2.1 kW axial flux motor with multi-stage precision planetary gears ensure maximum efficiency. **Battery performance** is **up to 100% higher** compared to the previous K7 model. The new drive also permits **very low speed** travel (30 cm/min to 5 km/h). The various gear ratios available mean that the **gearbox** can be specifically adapted to customer needs.

Comfortable

The K7+'s **stacker system** has been improved: crates are now conveyed onto the platform via a chain hoist integrated into the stacker in a direct and **fully mechanical process**. This allows the crate to be comparatively **easily** filled and emptied on **steeper slopes**.

The **two control positions** (front and back) ensure comfortable operation when driving, meaning the machine can always be controlled **in the forward direction**.

Powerful

Our K7+ is the **strongest lifting platform** on the market and is designed for the most demanding requirements in the field. The unique certified **travel inclination of 58% and slope inclination of 30%** guarantee safe working at all times, while the large tyres provide **optimum handling** on all surfaces. The K7+ is equipped as standard with **all-wheel drive** with **processor-controlled traction** as well as **single wheel steering**.

Safe

The machine's **extremely low centre of gravity** and numerous technical details make it **extremely safe** in operation, protecting you and your workers from accident. An **automatic swing guard** while the machine is stationary further increases stability. All Windegger machines including the K8e are examined independently and are **certified** according to current **European Union regulations**.



Use the benefits:

- ✓ Highest certified inclination on the market
- ✓ Economical high-tech all-wheel drive
- ✓ New optimised stacker system



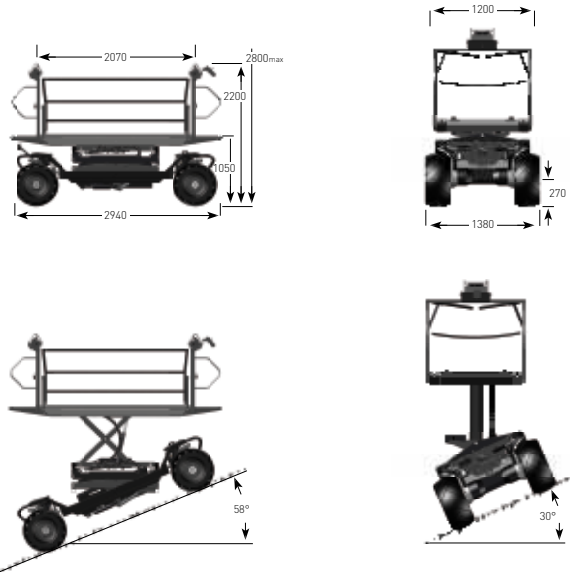
Technical data

Chassis

- ✓ Two independent swing axles
- ✓ Outer wheel distance: 1,45 m
- ✓ Length (including both stackers): 3,30 m
- ✓ Turning radius inner: 0,9 m
- ✓ 2 stackers, each with carrying capacity of 400 kg
- ✓ Weight (including both stackers): 2,250 kg

Working platform

- ✓ Width: from 1,2-2,4 m steplessly hydraulically adjustable
- ✓ Height: 1,05-2,8 m hydraulically adjustable
- ✓ Länge: 2,0 m



Windegger Maschinen srl

Vicolo S. Floriano 3/1 / 39011 Lana

T +39.0473.56 46 30 / info@windegger.eu / windegger.eu